



Transportation Product Range

Overview

Main Markets:

- Car Interiors
- Bus, Truck and Rail Interiors
- Marine Interiors
- Inflatables; Boats, Airships,
Rescue Equipment, Shelters



Car Interiors

XtraTHERM Pu Dispersions

2K Pu dispersions, headrests, door cards, dashboards, headlinings etc.

Specialist application equipment to guarantee repeatability

XtraMELT HMPUR Hot Melts

1 Part curing Hot Melts, product assembly, roll coating, XY table, etc.

Roll Coaters and Robotics supplied



Steering Wheels

XtraTHERM Pu Dispersions

XtraMELT HMPUR Hot Melts

Widely used in the manufacture of steering wheels by some of the most well known names in the business

Bonding Leather, Vinyl, Hard Plastics, Stitch ends



Sealants

Xtrabond Sealant/Gasket Range

Non-curing, permanently tacky version

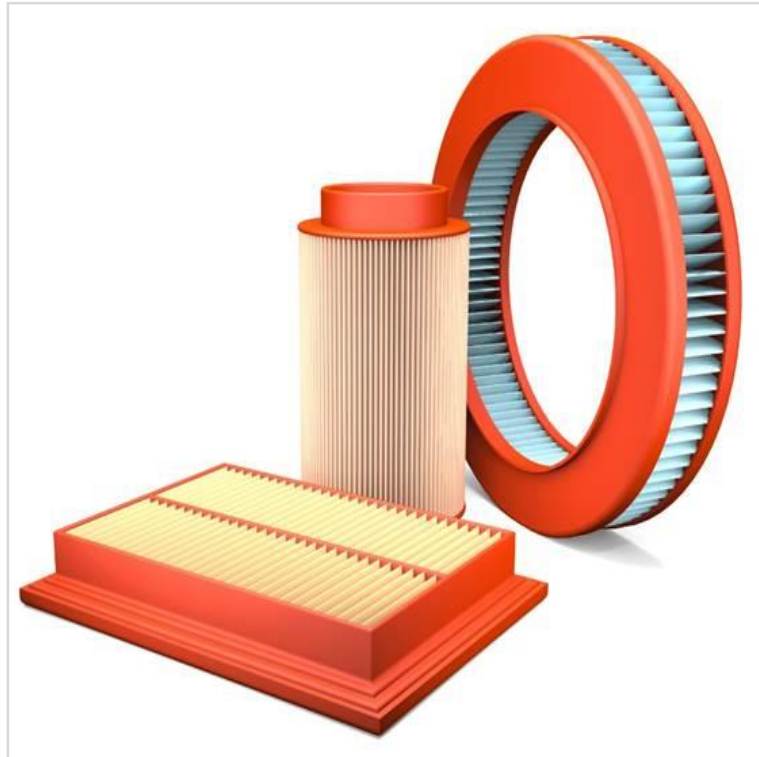
Non setting even at 90°C

Car rubber gasket sealant

Windscreen Adhesive

OEM Approvals in place

Used by major Car Manufacturers



PU For Filters

XtraBOND 2K Pu Foams

Low Viscosity Fast Curing PU Adhesive,
Widely Used for Oil, Air & Diesel Fuel
Endcap Glueing

Full range for all filter types and manufacturing
methods



Boot Floors

XtraBOND 25/35 Sprayable Neoprenes
XtraMELT HMPUR

Products for flat lamination, soft forming, trim
and turn operation, etc

Roll Coaters and Robotic Applicators supplied



Bus Truck Rail

XtraBOND/XtraLOK/XtraMELT Range

Seat manufacture/refurbishment
Tables, trays, interior components
Roof water tank insulation
Composite Resins



Marine Interior

Interior fittings manufacture
Interior soft furnishings manufacture
Marine Approved grades
Specialist decking adhesives



Marine

XtraLok Range

Specific 2 Component Neoprene and PU adhesives for bonding fabrics in quality boat construction.

Boats used by police, Fire Services Coastguard in long term use having been produced with these products

Specialist UV stabilised and plasticiser resistant grades available



Rescue Craft

XtraLok Range

Neoprene and PU adhesives for bonding fabrics
Rescue craft, lifejackets, inflatable shelters, lifting
bags, escape slides etc.

Many applications supplied over more than a
decade in use in MOD service, aircraft servicing
emergency services



PU

Xtrabond 62206V0

Rigid foam for molding technical
and design parts

Self Extinguishing UL approved

500 g/l



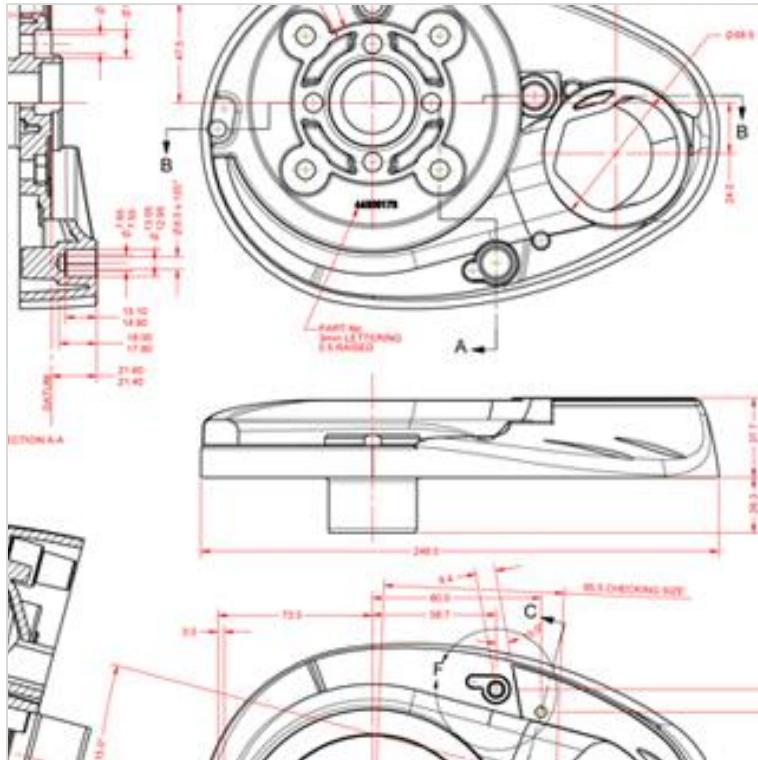
Approvals

Approvals Held

All the product types described in this presentation are/have been used by many major manufacturers whose are household names worldwide.

These include components supplied to the major automotive manufacturers in Germany, the UK and Italy amongst others, and includes some of the most exclusive vehicles on the planet.

Approvals



Approvals, continued...

We hold a database of many manufacturers engineering drawings and of course some contain our products as exclusively specified. We are registered on the IMDS and are adding individual products as required.

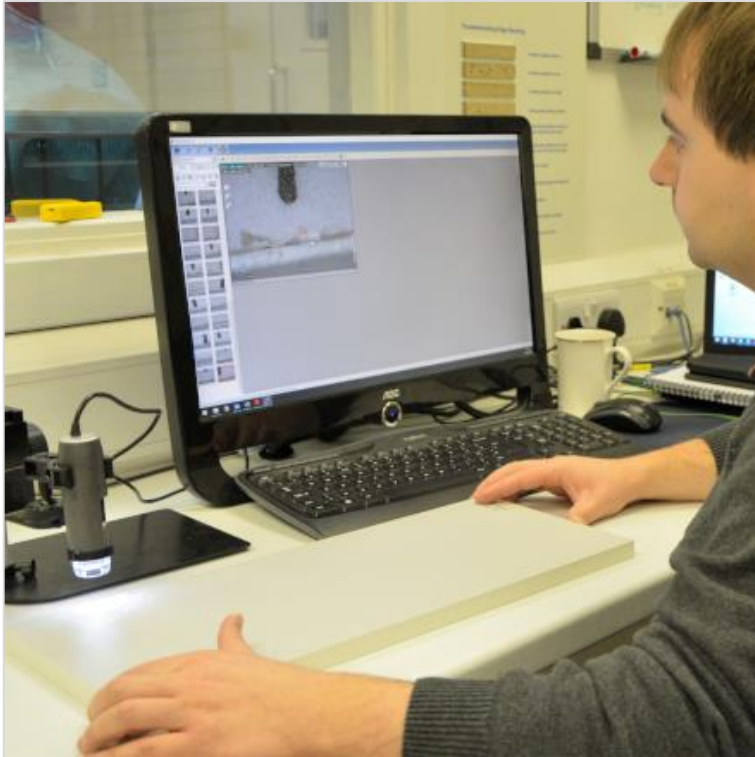
We are familiar with PPAP and experienced in assisting component suppliers obtain approval.



Non Disclosure

But we can't name names...

Due to the many non-disclosure agreements we have in place with tier one and two suppliers, we are unable to give names of OEMs using parts produced with our product and nothing in this presentation is intended to imply supplies to any particular manufacturer.



Laboratory

Hybond Lab Capability

We provide a full technical service from a very well equipped lab, run by our full time PhD Chemist.

We offer consultancy services to the automotive industry and the wider adhesives industry.

See our Lab Capability document [here](#)



Application Equipment

Hybond Machine Systems Division

Bespoke adhesive application equipment from complete roll coating and panel handling lines, through to robotics, XY tables and small desktop applicators.



Contact

UK

Unit 1, Grange Business Park,
Lancaster Rd, Shrewsbury, SY1 3LG

sales@hybond.org.uk

Romania

Str. Slanicului nr.6,
410161 Oradea, Bihor

scott@hybond.org.uk

laurentiu@hybond.org.uk